

Vauxhall Assistance and warranties*

Every Movano base vehicle comes with:

- A one-year unlimited mileage manufacturer's warranty
- Second and third year no-fee customer option warranty up to 100,000 miles from date of first registration
- Vauxhall Assistance for 12 months from date of first registration
- Six-year body panel anti-perforation warranty

* = Warranty is only available on vehicles sourced from Vauxhall Motors Ltd. Terms and conditions apply - please see your Vauxhall retailer for details.

Vauxhall recognised conversions

These conversions have been fully tested to ensure they meet the exacting technical standards required by Vauxhall Motors Limited.

Convertor contact details

For conversion pricing, option and warranty details contact:

Trucksmith Ltd, Kings Mill Industrial Estate,

Cullompton, Devon, EX15 1BS.

Tel: 01884 33001

Fax: 01884 33004

E-mail: drt@trucksmith.co.uk

Destination code: GB3924



Engines Euro 4 compliant

	2.5CDTI 16v (100PS)	2.5CDTI 16v (120PS)	2.5CDTI 16v (146PS)
Fuel type	Diesel	Diesel	Diesel
Capacity	2464cc	2464cc	2464cc
Maximum power	100PS (74kW) @ 3500rpm	120PS (88kW) @ 3500rpm	146PS (107kW) @ 3500rpm
Maximum torque	260Nm (192 lb.ft.) @ 1600rpm	300Nm (221 lb.ft.) @ 1600rpm	320Nm (236 lb.ft.) @ 1500rpm
Layout	4 cylinders, 4 valves per cylinder, double overhead camshafts		
Induction system	Turbocharger and intercooler. Common rail fuel injection		
Service interval	18,000 miles or one year (whichever occurs sooner)		

Weights** kg

Model	UK plated weights and kerbweights				
	Front axle	Rear axle	GVW Total	Kerb	Payload
3500 2.5CDTI 16v (100PS/120PS)	1850	2060	3500	2217	1283
3500 2.5CDTI 16v (100PS/120PS) Tecshift	1850	2060	3500	2225	1275
3500 2.5CDTI 16v (146PS)	1850	2060	3500	2231	1269
3500 2.5CDTI 16v (146PS) Tecshift	1850	2060	3500	2239	1261

Please note: Typical examples shown above. **Kerbweights include conversion body weight (493kg), coolant, oil, 90% full fuel tank and spare wheel. They will vary according to the vehicle specification (including options and accessories) with a corresponding variation in payload. **Payload** figures do not allow for the weight of the driver, or any passengers, which should therefore be deducted from the figures shown. **Gross plated weights** (including axle weights) quoted on the vehicle plate must never be exceeded. **Towing weights** should not exceed 750kg (unbraked trailer) or 2000kg (braked trailer).

Please note

Typical conversion examples shown. Conversions on other model variants are available please consult the convertor. Full specification, option and colour availability details of the Movano range appear in the Movano brochure available from your Vauxhall retailer or Lo-call 0845 600 1500.

Every effort has been made to ensure that the contents of this publication were accurate and up-to-date at the time of going to press (August 2007). Vauxhall vehicles are equipped with components manufactured by various General Motors operating units and outside suppliers. The Company reserves the right to alter specifications and withdraw products from sale without notice. Any such alterations will be notified to Vauxhall retailers at the earliest opportunity, please consult your local retailer for the latest information. Please note that Vauxhall retailers are not the agents of Vauxhall Motors Limited and are not authorised to bind the Company by any specific or implied undertaking or representation. It is advisable to ensure that your motor insurance policy provides adequate cover for additional fitted options and accessories. As part of Vauxhall's policy of environmental care, this brochure is printed on paper manufactured using Elemental Chlorine Free pulps from specially farmed, sustainable timber resources. All rights reserved. No part of this publication may be reproduced in any form or by any means, without the prior written permission of Vauxhall Motors Limited.

VM0707304 Published August 2007 (BMB/Graymatter) Vauxhall Motors Limited, Luton LU1 3YT



The Wheels of Business

Movano 2008 Edition 1

Low-floor Box Van





MOVANO LOW-FLOOR BOX VAN

With a loading height of just 550mm and 18.2 cu.m of loadspace volume, the Movano Low-floor Box Van fully utilises the base vehicle's potential as a hugely capacious, no-nonsense load shifter. Based on the vehicle named Best Panel Van, 13.1 cubic metres and above in the prestigious *Professional Van and Light Truck* awards 2006, the vehicle features high impact resistant Glass Reinforced Plastic (GRP) composite side panels over a sturdy sheet metal shell.



- **Low loading height of just 550mm**
- **18 cu.m loadspace volume**
- **Up to 1283kg payload**
- **4.04m internal load length**
- **Non-slip resin coated plywood floor**
- **Two full-length lashing rails**

Standard feature highlights

- Driver's airbag
 - Anti-lock Braking System (ABS) with Electronic Brakeforce Distribution (EBD)
 - Emergency Brake Assist (EBA)
 - Height-adjustable padded head restraints
 - Dual passengers' bench seat
 - Three inertia-reel lap and diagonal seatbelts
 - Driver's pyrotechnic body-lock seatbelt pretensioner
 - Height-adjustable outer seatbelts
 - Electronic engine deadlock immobiliser
 - Stereo radio/CD player
 - Remote control central locking (cab only)
 - Front door side-impact protection beams
 - Six-speed manual transmission
- Full specification, option and colour availability details of the Movano range appear in the Movano brochure available from your Vauxhall retailer or Lo-call 0845 600 1500.

Optional feature highlights (at extra cost)

- Passengers' twin airbag
- Air conditioning (cab only)
- Tecshift six-speed transmission
- Satellite navigation system
- Remote control security system (cab only)

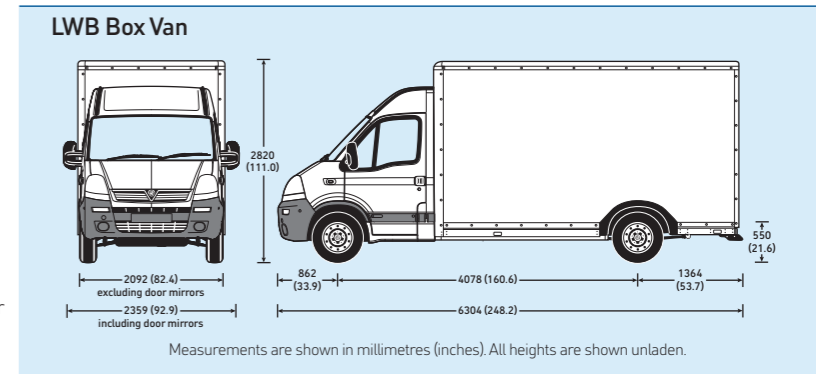
Typical conversion features

- 4037mm internal load length
- High impact resistant GRP composite side panels over sheet metal
- Translucent fibreglass roof
- Non-slip resin-coated plywood floor
- Two full-length lashing rails fitted to either side of load area
- Lockable rear roller shutter
- Directional loading light
- Galvanised steel panels for wheel arch protection
- Full-width, steel, exterior bar to protect rear light clusters
- Anodised aluminium exterior framework

Conversion options (at extra cost)

- Side-loading door (choice of two widths)
- Barn doors
- Alternative colours including metallic or pearlescent finishes
- Extended body (4437mm load length)
- High roof (2550mm load height)
- Walk-through bulkhead
- Loading rollers
- Side-rubbing rails with front and rear marking lights

Dimensions



Load area dimensions mm (inches)

	LWB
Maximum internal length	4037 (158.9)
Maximum internal width	2050 (80.7)
Maximum internal height	2200 (86.6)
Width between wheel arches	1290 (50.8)
Rear door aperture height	2000 (78.7)
Rear door aperture width	1824 (71.8)
Loading height (unladen)	550 (21.6)

Load area volume cu.m (cu.ft.)

	LWB
Body volume (estimated)	18.2 (642.7)